

Thank you for your purchasing the brush cutter of our Company. The present manual explains how to handle the brush cutter well. Before using it, please read this operator's manual carefully, operate the machine correctly and engage in your task with safety.

By the way, due to changes of specifications, all details of your machine may not agree with this manual. Please understand accordingly.

TECHNICAL DATA

TYPE		GRPC-01
Main unit	Remote type	Automatic centrifugal clutch; Spiral bevel gear; flexible shaft
	Reduction ratio	17:22
	Blade rotation direction	Clockwise(seen from the top)
	Type of handle	Double grip
	Weight when dry(Kg)	12.5
Engine	Name of engine	1E40F-5A
	Type	Air-cooled.2 cycle. Vertical Piston valve. gasoline engine
	Displacement(cc)	42.7
	Maximum output(kW)	≥1.47
	Carburetor	Float-type
	Ignition	Non-contact electronic ignition
	Method of starting	Recoil type
	Fuel used	Gasoline mixed with lubricating oil (ratio of 25:1)
	Fuel tank capacity(L)	1.2
	Dry weight(Kg)	≤4

Technical Data subject to changed without notice.

GRAPHIC WARNINGS

Because a trimmer/cutter is a high-speed, fast cutting power tool, special safety precaution must be observed to reduce the risk of personal injury. Read this manual carefully. Be familiar with the controls and the proper use of the unit. Know how to shut it off, and how to unhook a harnessed unit quickly.



This graphic accompanied by the words **WARNING** and **DANGER** Calls attention to an act or a condition which can lead to **SERIOUS INJURY**

READ & UNDERSTAND Operator's Manual and Safety Manual.

ALWAYS WEAR EYE AND EAR PROTECTION.

Always **TURN OFF ENGINE** and make sure the cutting tool has stopped before cleaning, removing or adjusting blade.

WARNING! Never modify a trimmer or cutter in any way. Improper use of any trimmer can cause **SERIOUS OR FATAL PERSONAL INJURY.**

The engine exhaust from this product contains chemicals to cause cancer, birth defects, or other reproductive harm.

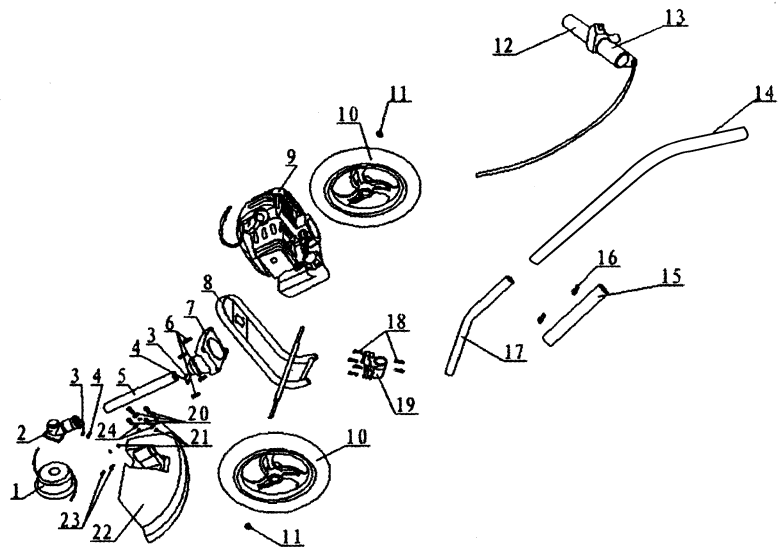
Specifications, descriptions and illustrative material in this manual are as accurate as known at the time of publication, but are subject to change without notice. Illustrations may include optional equipment and accessories, and may not include all standard equipment.



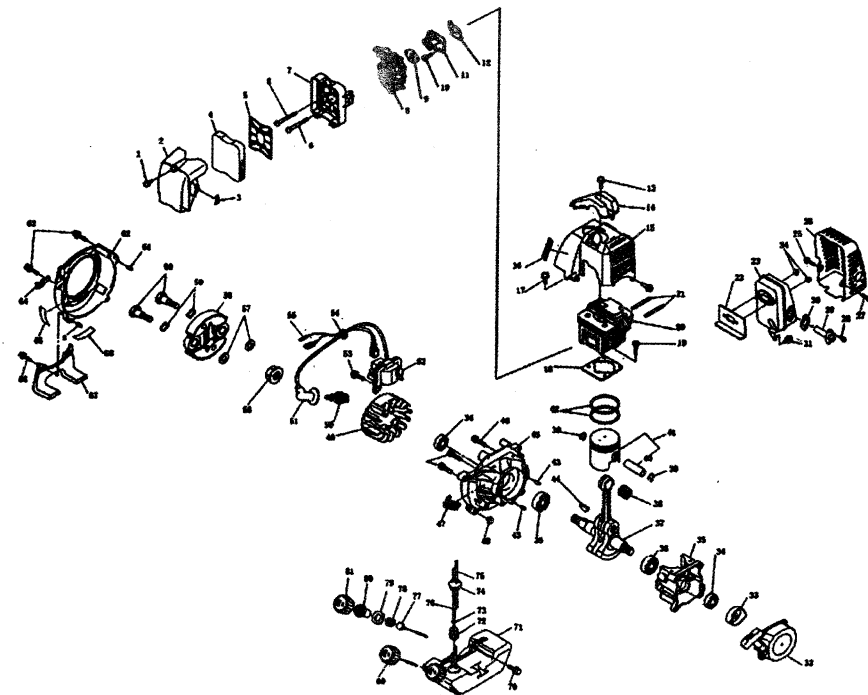
Proper safety precautions must be observed. Like all equipment this unit must be handled carefully **DO NOT EXPOSE YOURSELF TO DANGER.** Follow these general rules. Do not permit others to use this machine unless they are thoroughly responsible and have read, and understand the machine manual and are trained in its operation.

- Always wear safety goggles for eye protection. Dress properly, do not wear loose clothing or jewelry that could become caught in moving parts of the unit. Safe, sturdy, nonskid footwear should always be worn. Long hair should be tied back. It is recommended that legs and feet be covered to protect from flying debris during operation.
 - Inspect the entire machine for loose parts(nuts, bolts, screws, etc.) and any damage. Repair or replace as necessary before using the machine.
 - **Do not use** any attachment with this power head other than the ones recommended by our company. Serious Injury to the operator or bystanders could result as well as damage to the machine.
 - Keep the handles free from oil and fuel.
 - Always use proper handle and shoulder strap when cutting.
 - Do not smoke while mixing fuel or filling tank.
 - Do not mix fuel in an enclosed room or near open flames. Assure adequate ventilation.
 - Always mix and store the fuel in a properly marked container that is approved by local codes and ordinances for such usage.
 - Never remove the fuel tank cap while the engine is running.
 - Never start or run the engine inside a closed room or building. Fumes from the exhaust contain dangerous carbon monoxide.
 - Never attempt to make engine adjustments while the unit is running, and strapped to the operator. Always make engine adjustments with the unit resting on a flat, clear surface.
 - Do not use the unit if it is damaged or poorly adjusted. Never remove the machine's guard.
 - Inspect the area to be cut and remove all debris that could become entangled in the nylon cutting head. Also remove any objects that the unit may throw during cutting.
 - Keep children away. Onlookers should be kept at a safe distance from the work area, at least **50 FEET.**
 - Never leave the machine unattended.
 - Do not use this unit for any job other than those for which it is intended as described in this manual.
 - Do not overreach. Keep proper footing and balance at all times. Do not run the unit while standing on a ladder or on any other unstable footing location.
 - Keep hands and feet clear of the nylon cutting head while unit is in use.
 - Do not use this type of machine for sweeping away debris.
 - Do not use the unit when you are tired or under the influence of medication, drugs or alcohol.
 - Use nylon cutting head which is free of damage. If a stone or any other obstacle is hit, stop the engine and check the nylon cutting head. A broken or unbalanced nylon cutting head must never be used.
- FOLLOW INSTRUCTION FOR CHANGING ACCESSORIES.**

- Do not store in a closed area where fuel vapors can reach an open flame from hot water heaters, furnaces, etc. Store in a locked, well ventilated area only.
- Use only our company original equipment parts when servicing the unit, this will ensure safe and proper performance of your product. These parts are available from your dealer. The use of any other accessories or attachments may cause a potential hazard to the user, damage to the machine and void this warranty.
- Clean the machine completely, especially, the fuel tank, its surroundings, and the air cleaner.
- When refueling, be sure to stop the engine and confirm that it is cooled down. Never refuel when the engine is running or hot. When gasoline spills, be sure to wipe it up completely and properly dispose of those materials before starting the engine.
- Stay clear of other workers or bystanders by at least 15 meters / 50 feet.
- When ever approaching an operator of the machine, carefully call his attention and confirm that the operator stops the engine. Be careful not to startle or distract the operator which can cause an unsafe situation.
- Never touch the nylon cutting head when ever the engine is running. If it is necessary to adjust the protector or nylon cutting head, be sure to stop the engine and confirm that the nylon cutting head has stopped running.
- The engine should be turned off when the machine is moved between work areas.
- Be careful not to hit the nylon cutting head against stones, or the ground. Unreasonable rough operation will shorten the life of the machine as well as create an unsafe environment for yourself and those around you.
- Pay attention to loosening and overheating of parts. If there is any abnormality of the machine, stop operation immediately and check the machine carefully. If necessary, have the machine serviced by a authorized dealer. Never continue to operate a machine which may be malfunctioning.
- In start-up or during operation of the engine, never touch hot parts such as the muffler, the high voltage wire or the spark plug.
- After the engine has stopped, the muffler is still hot. Never place the machine in any places where there are flammable materials (dry grass, etc.), combustible gasses or combustible liquids.
- Pay special attention to operation in the rain or just after the rain as the ground may be slippery.
- If you slip or fall to the ground or into a hole, release the throttle lever immediately.
- Be careful not to drop the machine or hit it against obstacles.
- Before proceeding to adjust or repair the machine, be sure to stop the engine and detach the spark plug cap from the spark plug.
- When the machine is placed in storage for a long time, drain fuel from the fuel tank and carburetor, clean the parts, move the machine to a safe place and confirm that the engine is cooled down.
- Make periodic inspections to assure safe and efficient operation. For a thorough inspection of your machine, please contact a dealer.
- Keep the machine away from fire or sparks.
- **WARNING:** The cutter area is still dangerous while the machine is coasting to a stop.



Key#	DESCRIPTION	Q'TY/UNIT	NOTE
1	nylone head	1	
2	corner joint	1	
3	hexagon screw combination M5×10	2	
4	hexagon screw combination M6×30	2	
5	transfer rod (rod+dabber+2oil-retaining bearing)	1	
6	hexagon screw combination M6×35	4	
7	transimission connection seat	1	
8	holder	1	
9	engine	1	
10	wheel	2	
11	locknut M8	2	
12	rubber handle	1	
13	throttle switch	1	
14	hand bar	1	
15	handle connection cover	1	
16	handle connection cover location bottom	2	
17	handle connection bar	1	
18	hexagon screw combination M5×25	6	
19	handle connection seat	4	
20	hexagon screw combination M5×20	1	
21	locknut M5	6	
22	grass fender(including small knife)	1	
23	hexagon screw combination M5×25	2	
24	flat gasket Φ5	4	



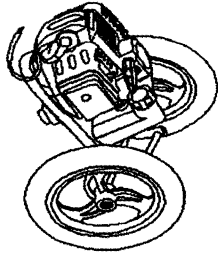
Key#	DESCRIPTION	Q'TY/UNIT	NOTE
1	air filter cover bolt M5×16	1	
2	air filter cover	1	
3	choke sticker	1	
4	filter element	1	
5	air filter cover	1	
6	air filter bolts M5×50	2	
7	air filter	1	
8	carburator	1	
9	carburator gasket	1	
10	intake block bolts M5×20	2	
11	intake block	1	
12	intake block gasket	1	
13	small cap screw M5×14	1	
14	small cap	1	
15	palstic cover	1	
16	sticker	1	
17	bolt M5×12	1	
18	cylinder gasket	1	

Key#	DESCRIPTION	Q'TY/UNIT	NOTE
19	cylinder bolt M5×20	4	
20	cylinder	1	
21	exhaust double-head bolt M6×63	2	
22	muffler gasket	1	
23	muffler	1	
24	nut M6	2	
25	nut M5×12	1	
26	muffler cover	1	
27	bolt M5×18	1	
28	exhaust vent bolt M4×8	2	
29	exhaust vent	1	
30	exhaust vent gasket	1	
31	bolt M5×12	1	
32	puller	1	
33	starter plate	1	
34	oil seal	2	
35	right cylinder	1	
36	bearing	2	
37	crankshaft	1	
38	ball-point bearing	1	
39	piston pin reed	2	
40	piston pin	1	
41	piston	1	
42	piston ring	2	
43	location pin	2	
44	woodruff key	1	
45	left cylinder	1	
46	cylinder combine bolt M5×30	4	
47	wind shield	1	
48	pouches	2	
49	fly wheel	1	
50	spark plug	1	
51	ignition cap	1	
52	ignition coil	1	
53	bolt M5×18	2	
54	rubber bottem	1	
55	off swith cable	1	
56	nut M8	1	
57	gasket#8	2	
58	clutch shoe	1	
59	corrugated gasket	2	
60	stage screw	2	
61	dowel pin	2	
62	left cover	1	

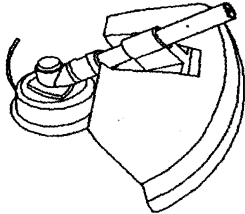
Key#	DESCRIPTION	Q'TY/UNIT	NOTE
63	left cover bolt M5×20	4	
64	harness board	1	
65	sticker	1	
66	bolt M5×20	2	
67	plastic guard board	1	
68	sticker	1	
69	oil tank cap assembly	1	
70	bolt M5×16	2	
71	oil tank	1	
72	oil filter	1	
73	snaps	1	
74	oil plastic cover	1	
75	oil feeding tube	1	
76	oil output tube	1	
77	dipstick	1	
78	single valve	1	
79	seal gasket	1	
80	oil lid cup	1	
81	oil lid	1	

Mini hand-push brush cutter assembly steps:

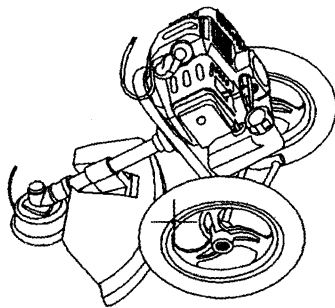
Step 1. Fix the 2 wheels, put a flat gasket outside of each wheels and screw up the nuts. The wheels should move easily.



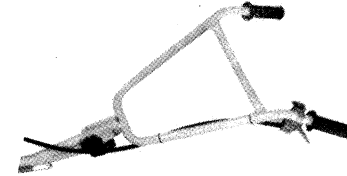
Step 2. Fix the fender in the connection transfer rod.



Step 3. Fix the connection transfer rod, fasten the binding bolts. Make sure the transfer spline and the shaft spline match well.



Step 4. Connect the handle bar with the middle bar. Set the middle bar to the handle, fasten with the bolts and nuts.



Step 5. Fix the middle bar to the bracket through the joint seat, adjust to a suitable operating position for the convenience of users.

